



LIGHTING REIMAGINED

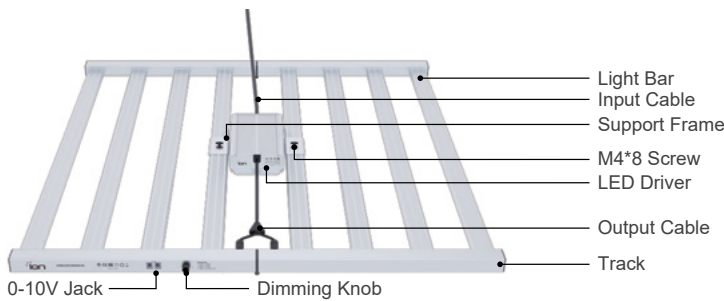
630W LED OPERATING MANUAL

MODULAR DESIGN | 0-10V COMPATIBLE | FOLDING FIXTURE

PLEASE READ THESE INSTRUCTIONS BEFORE INSTALLATION AND USE

Welcome to purchase and use this new LED luminaire. We have done everything to ensure a product of long lifespan and safe operation, but the installation and use of the product is at the responsibility of the user. Incorrect use or installation can lead to failure and damage to the luminaire. Damage to the luminaire or electronic circuitry as a result of incorrect installation or use will revoke your warranty. Read this manual carefully before installing your luminaire.

ABOUT PRODUCT



Alert: If any light bars fail, turn the dimming knob to reflect the amount of bars still alight.

DIMMING KNOB FUNCTION																							
Function 1 — Dimming		Function 2 — Protect working bars																					
Turn Dimming Knob to Numbers	LED Working Wattage																						
Turn to 7	630W	<table border="1"> <thead> <tr> <th>Failure Bar Quantity</th> <th>LED Working Wattage</th> <th>Turn Dimming Knob to Numbers</th> </tr> </thead> <tbody> <tr> <td>2pcs</td> <td>550W</td> <td>Turn to 6</td> </tr> <tr> <td>3pcs</td> <td>460W</td> <td>Turn to 5</td> </tr> <tr> <td>4pcs</td> <td>380W</td> <td>Turn to 4</td> </tr> <tr> <td>5pcs</td> <td>290W</td> <td>Turn to 3</td> </tr> <tr> <td>6pcs</td> <td>210W</td> <td>Turn to 2</td> </tr> <tr> <td>7pcs</td> <td>120W</td> <td>Turn to 1</td> </tr> </tbody> </table>	Failure Bar Quantity	LED Working Wattage	Turn Dimming Knob to Numbers	2pcs	550W	Turn to 6	3pcs	460W	Turn to 5	4pcs	380W	Turn to 4	5pcs	290W	Turn to 3	6pcs	210W	Turn to 2	7pcs	120W	Turn to 1
Failure Bar Quantity	LED Working Wattage		Turn Dimming Knob to Numbers																				
2pcs	550W		Turn to 6																				
3pcs	460W		Turn to 5																				
4pcs	380W		Turn to 4																				
5pcs	290W		Turn to 3																				
6pcs	210W		Turn to 2																				
7pcs	120W	Turn to 1																					
Turn to 6	550W																						
Turn to 5	460W																						
Turn to 4	380W																						
Turn to 3	290W																						
Turn to 2	210W																						
Turn to 1	120W																						

TECHNICAL SPECIFICATIONS

Model	IONLEDCOMM630
Input Power	630W
Input Voltage	120V-277V
120V	5.43A
208V	3.05A
240V	2.62A
277V	2.28A
Input Frequency	50/60 Hz
Light Output: PPF	1700 μmol/s
Efficacy	2.7 μmol/J

Lifetime L90	≥ 50,000 hrs
Water-Resistance	IP 66
Light Distribution	120°
Spectrum	Full Spectrum
Dimensions	1125x1110x70 mm / 44.3x43.7x2.8 inch
Weight	10.6 kg / 23.37 lbs
Operating Temperature	0°C~35°C / 32°F~95°F
Operating Humidity	0%~95%
Thermal Management	Passive
Power Factor	≥ 0.97



PATENTED PRODUCTS, COUNTERFEITING NOT ALLOWED.
Made in China



ASSEMBLY INSTRUCTIONS

The power rate of the light bars (120W~630W) can function when the dimming knob is turned to the corresponding numbers. It is recommended that you keep a mounting height of 6"-12" (15.2cm-30.4cm) above canopy for optimal light

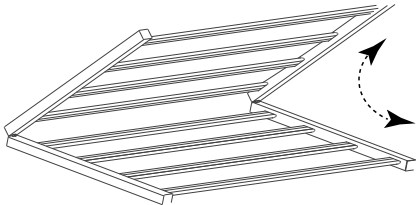
efficiency and uniformity. Growers should regularly monitor the temperature at the canopy level to ensure the height of the fixture is appropriate, as canopy temperature and ambient room temperature can differ.

CAUTION

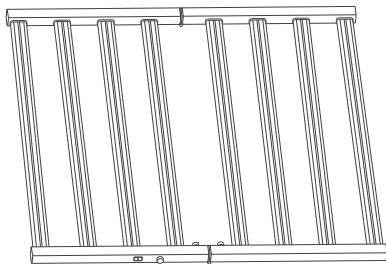
- * Don't peel off the protective paper until installed to prevent damage to diode.
- * Be sure light bar and track are clean, and user shall wear cotton gloves.

STEPS

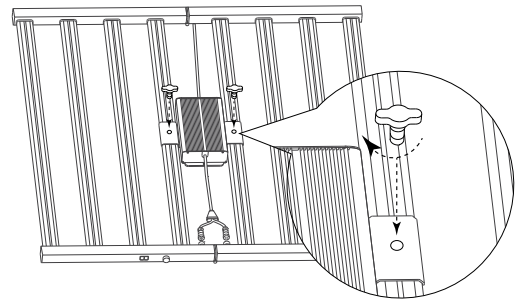
- 1. FIRST TAKE SUPPORT FRAME WITH LED DRIVER OUT OF THE FOLDING FIXTURE.**



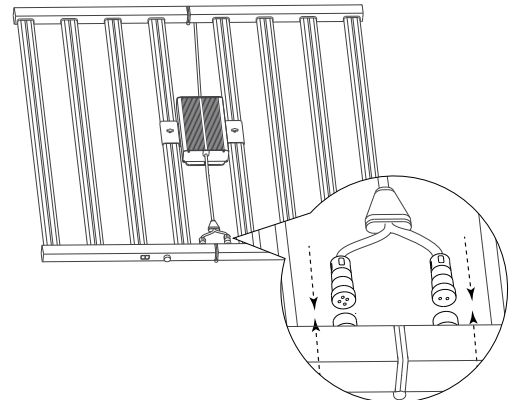
- 2. UNFOLD THE FIXTURE TRACK (FIG.A) AND PLACE IT ON A STURDY AND FLAT SURFACE WITH THE DIODE ARRAY FACING DOWNWARD.**



- 3. PLACE THE SUPPORT FRAME WITH LED DRIVER ON THE MIDDLE TWO LIGHT BARS AND ALIGN ITS TWO HOLES IN EACH SIDE WITH THE CORRESPONDING SCREW HOLES ON THE LIGHT BARS, THEN TIGHTEN THEM WITH TWO M4*8 SCREWS.**



- 4. CONNECT THE LED DRIVER AND FIXTURE TRACK WITH OUTPUT CABLE.**





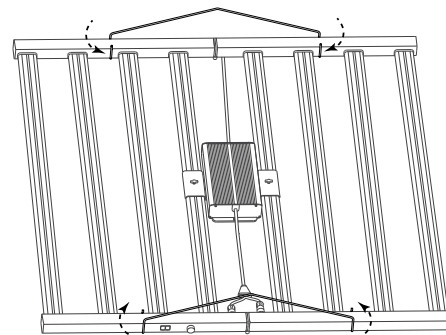
ALWAYS COMPLY WITH LOCAL INSTALLATION REGULATIONS AND CODES

The fixture is suitable for indoor environment. Do not install your fixture in wet or outdoor environment. Do not operate the fixture close to combustible materials. The fixture will get hot during operation. Do not touch the fixture during or right after operation. Make sure the power cord does not

touch any hot part of the fixture. Make sure the fixture is clean and hanging correctly. The normal operating environment temperature should be below 104°F. Exceeding the maximum environmental temperature will stress electronic components, which will lead to shorter lifetime and decreased reliability.

FIXTURE HANGING:

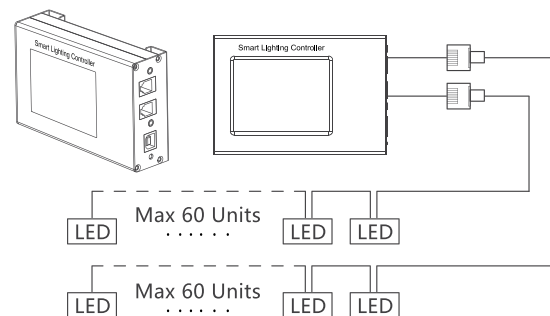
- 1. INSERT THE HANGER HOOK THROUGH THE TRACK.**
- 2. HANG FIXTURE IN THE REQUIRED LOCATION. YOU MAY USE LEVEL GAUGE TO MEASURE WHETHER THE HANG IS LEVEL.**



0-10V DIMMING

This model is compatible with Smart Lighting controller. When using 0-10V function, please turn the dimming knob to EXT. Insert telephone wire into the jack of the track and Smart Lighting controller, and then Dimming function on the LED fixture is enabled.

- Maximum of 120 units can be controlled by Smart Lighting controller.
- Simulate sunrise and sunset for dimming.
- Turn off the device automatically following the setting time and temperature. In & Out jacks included on the track allows for multi-fixtures connected in parallel.



CAUTION

After installation, verify if installation was a success by cycling the lights on / off a few times, setting 'over temperature shut down' to a low value like 85°F, and rubbing the temperature probe with your fingers, tricking the Smart Lighting controller into an over temperature condition and shutting the lights off. Then leave the probe alone, and after 10-15 minutes as recommended, the Smart Lighting controller should turn all the lights back on.

For detailed instructions, please refer to Smart Lighting controller operating manual.



TROUBLE SHOOTING

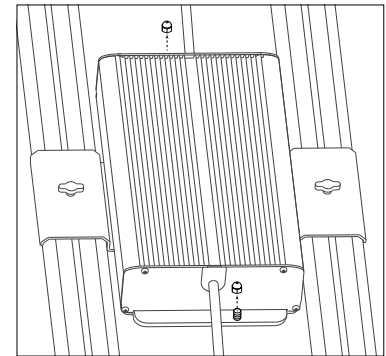
PROBLEM	PROBABLE CAUSE(S)	POSSIBLE FIXES OR CORRECTIVE MAINTENANCE
One or more fixtures are completely off.	Disconnect from power source.	Make sure power is on and cables are plugged in.
Dimming failure	Broken cable or wire connecting controller to fixture or wire connecting fixture to fixture.	Repair or replace any damaged cables if necessary.
LED will not come on.	The power supply settings do not match with local AC voltage and frequency.	Disconnect fixture from the power supply. Check settings and correct if necessary.

SCOPE OF USE AND MAINTENANCE

- Comply with local installation regulations.
- Store the fixture in a dry and clean environment, with an ambient temperature of -10°C ~ 50°C and ambient humidity of less than 90% RH. It is recommended that the fixture shall not stay unused for more than six months. If it has stayed unused for more than six months, please test to ensure fixture is functioning at 100%.
- Please keep products safe. Avoid mechanical pressure, excessive vibration and dropping the unit during the process of assembly to protect the light bar and track.
- Keep away from water, oil and organic solvent, or it will reduce the efficacy and have the potential risk of electric leakage.
- All equipment, devices and machines shall be effectively grounded.
- Regularly check and clean the dust from LED array.
 1. Disconnect from power supply before general care.
 2. Remove the dust from the light bar by using low-pressure compressed air.
 3. Clean the diode array with a soft cloth to prevent it from being scratched.

4. Be sure not to touch the diode with your bare hands, even after the fixture is disconnected from power supply.
- It is recommended that you contact a licensed electrician or an expert if any of the following happens:
 1. The cable or the plug has been damaged.
 2. The unit has been exposed to rain.
 3. Significant changes in the unit performance.
 4. Fixture or light bar dropped and corner of its enclosure got bent.
 - There are no serviceable parts inside the fixture. Opening the fixture will void its warranty.
 - In case of individual light bar damaged and doesn't work, you can press the +/- key according to the number of remaining working light bars until the display screen shows the correct number, so as to achieve the effect of normal work.
 - As for sales service, you're suggested to purchase our LED driver to replace it according to the following steps:
 1. Disconnect the mains first.

2. Disconnect wires at both ends of the LED driver
3. Unscrew two screws on the support frame at both ends of the LED driver, and then take out the damaged LED driver.
4. Install the new LED driver on the support frame by following the above opposite procedures.

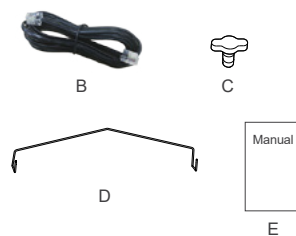
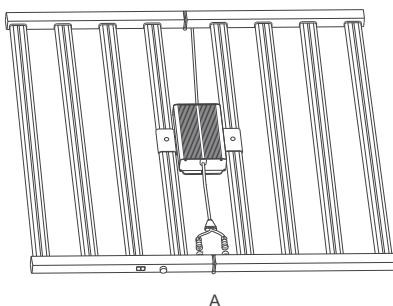


WARRANTY

We hereby warrant manufacturing defects of this product if it is used under normal operating conditions for a period of five (5) years from the original date of purchase. If the product shows manufacturing defects within this period and that defect is not

caused by user error or improper use, we shall, at our discretion, either replace or repair the product by using applicable new or refurbished parts. For any service, return the product to your shop along with the **original sales receipt**.

PRODUCT PACKING LIST



	NAME	QUANTITY
A	Folding Fixture	1
B	Telephone Wire	1
C	M4*8 SCREW	2
D	Hanger Hook	2
E	Operating Manual	1