



# 135W LED UNDER CANOPY LIGHT

## OPERATING MANUAL

### PLEASE READ THESE INSTRUCTIONS BEFORE INSTALLATION AND USE

Congratulations on purchasing this new LED luminaire. We have done everything to manufacture a fixture with a long lifespan and safe operation, but the installation and use of the product is the responsibility of the user. Incorrect use or installation can lead to failure and damage to the luminaire. Damage to the luminaire or electronic circuitry as a result of incorrect installation or use will revoke your warranty. Read this manual carefully before installing your luminaire.

### TECHNICAL SPECIFICATIONS

Model	Ion135WLED
Input Power	135W
Input Voltage	120V-277V
120V	1.16A
208V	0.65A
240V	0.57A
277V	0.49A
Input Frequency	50/60Hz
Light Output: PPF	340 $\mu$ mol/s
Efficacy	2.5 $\mu$ mol/J
Lifetime L90	$\geq$ 50,000 hrs

\* Subject to change without notice, Tolerance  $\pm$ 10%.

Water-Resistance	IP66
Warranty	5 Year Standard
Light Distribution	150°
Spectrum	Full Spectrum
Dimensions	1160x67x67 mm / 45.7x 2.6 x2.6 inch
Weight	2.8 kgs / 6.2 lbs
Operating Temperature	0~35°C / 32~95°F
Operating Humidity	0%~95%
Thermal Management	Passive
Power Factor	$\geq$ 0.97

### ALWAYS COMPLY WITH LOCAL INSTALLATION REGULATIONS AND CODES

The fixture is suitable for indoor environment. Do not install your fixture in wet or outdoor environment. Do not operate the fixture close to combustible materials. The fixture will get hot during operation. Do not touch the fixture during, or right after operation. Make sure the power cord does not touch any hot part of the fixture. Make sure the

fixture is clean and hanging correctly. The normal operating environment temperature should be below 104°F. Exceeding the maximum environmental temperature will stress electronic components, which will lead to shorter lifetime and decreased reliability.



PATENTED PRODUCTS, COUNTERFEITING NOT ALLOWED.  
Made in China



# 135W LED



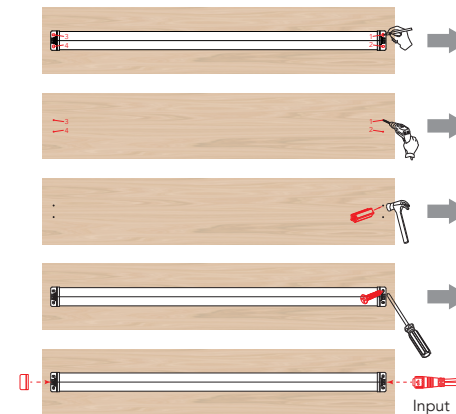
### ASSEMBLY INSTRUCTIONS

The number of light bars can be combined in series according to the actual environment needs. The maximum number of series combination is 18pcs (277v). Growers should regularly monitor the

temperature at the canopy level to ensure the height of the fixture is appropriate, as canopy temperature and ambient room temperature can differ.

### STEPS

1. Use the fixture to determine the positions for drilling holes, and ensure the hole positions are level, then mark the hole positions using a marker pen.
2. Drill 4 holes at the marked positions with the hole diameter of  $\phi$ 7, and the hole depth shall not be less than 25mm.
3. Knock the rubber plugs into the drilled holes.
4. Position the fixture well, and rotate 4 counter-sunk screws through the fixture into the drilled holes, then fix them with a screwdriver.
5. Plug in the power cord and end cap at both ends, then power on.

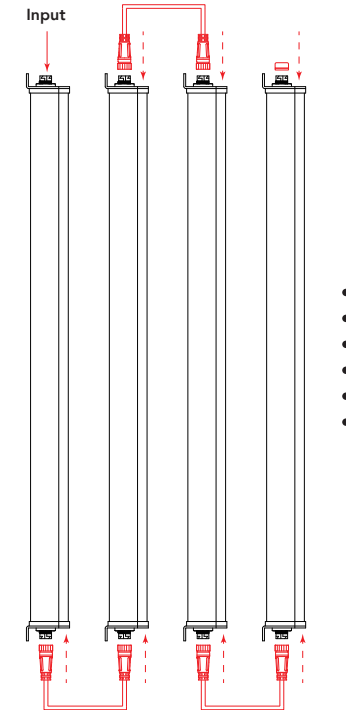


### Series Combination:

1. Fix the fixtures to the position to be installed.
2. When the fixtures are combined in series, the male and female connector shall be butted between daisy chain cord and fixture, and then the last end cap shall be tightened.

DAISY CHAIN QUANTITY				
AC Voltage	120V	208V	240V	277V
Quantity	8	13	15	18

Note: One Daisy Chain Cord is placed inside of the bar. The last end needs to cover for safe.





# 135W LED



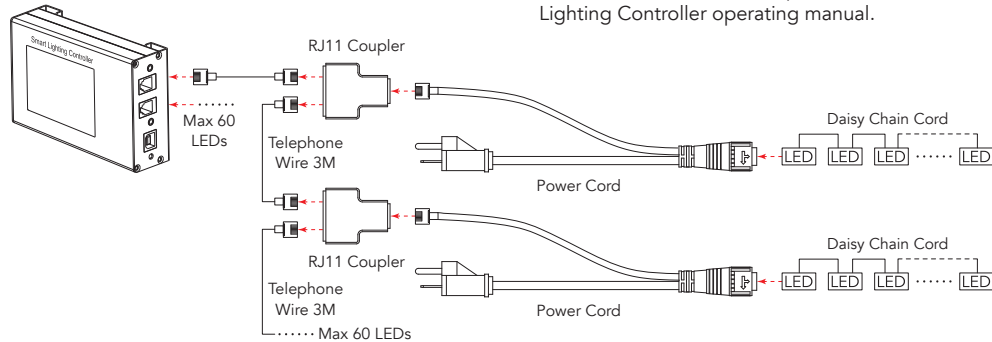
## DIMMING FUNCTION

This model is compatible with 0-10V protocol. Insert telephone wire into the jack of the RJ11 coupler and Smart Lighting Controller, and then dimming function on the fixture is enabled.

- Maximum of 120 units can be controlled by Smart Lighting Controller.
- Simulate sunrise and sunset for dimming.
- Turn off the device automatically following the setting time and temperature.
- In & Out jacks included on the RJ11 coupler allows for multi-fixtures connected in parallel.

### CAUTION: ⚠ ⚠ ⚠

After installation, verify installation was a success by cycling the lights on/off a few times, by setting 'over temperature shut down' to a low value like 85°F, and rubbing the temperature probe with your fingers, tricking the Smart Lighting Controller into an over temperature condition and shutting the lights off. Then leave the probe alone, and after recommended 10-15 minutes the Smart Lighting Controller should turn all the lights back on. For detailed instructions, please refer to Smart Lighting Controller operating manual.



## TROUBLE SHOOTING

PROBLEM	PROBABLE CAUSE(S)	POSSIBLE FIXES OR CORRECTIVE MAINTENANCE
One or more fixtures are completely off	Disconnect from power source.	Make sure power is on and cables are plugged in.
LED will not come on	The power supply settings do not match with local AC voltage and frequency.	Disconnect fixture from the power supply. Check settings and correct if necessary.



# 135W LED



## SCOPE OF USE AND MAINTENANCE

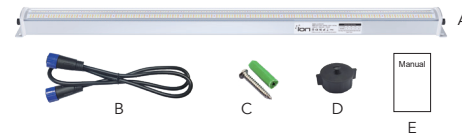
- Comply with local installation regulations.
- Store the fixture in a dry and clean environment, with an ambient temperature of -20°C~65°C and ambient humidity of less than 95% RH. It is recommended that the fixture shall not stay unused for more than six months. If it has stayed unused for more than six months, please test to ensure fixture is functioning at 100%.
- Please keep products safe. Avoid mechanical pressure, excessive vibration and dropping the unit during the process of assembly to protect the fixture.
- Keep away from water, oil and organic solvent, or it will reduce the efficacy and have the potential risk of electric leakage.
- All equipment, devices and machines shall be effectively grounded.
- Regularly check and clean the dust from the fixture.
  1. Disconnect from power supply before general care.
  2. Remove the dust from the fixture by using low-pressure compressed air.
- It is recommended that you contact a licensed electrician or an expert if any of the following happens:
  1. The cable or the plug has been damaged.
  2. The unit has been exposed to rain.
  3. Significant changes in the unit performance.
  4. Fixture dropped and corner of its enclosure got bent.
- There are no serviceable parts inside the fixture. Opening the fixture will void its warranty.

## WARRANTY

We hereby warrant manufacturing defects of this product for a period of five (5) years from the original date of purchase if it is used under normal operating conditions. If the product shows manufacturing defects within this period and that

defect is not caused by user error or improper use, we shall, at our discretion, either replace or repair the product by using applicable new or refurbished parts. For any service, return the product to your shop along with the original sales receipt.

## PRODUCT PACKING LIST



NO.	NAME	QUANTITY
A	ION 135W Fixture	1
B	Daisy Chain Cord	1
C	KA4*20 Self-tapping Screw	4 Sets
D	End Cap	1
E	Operating Manual	1